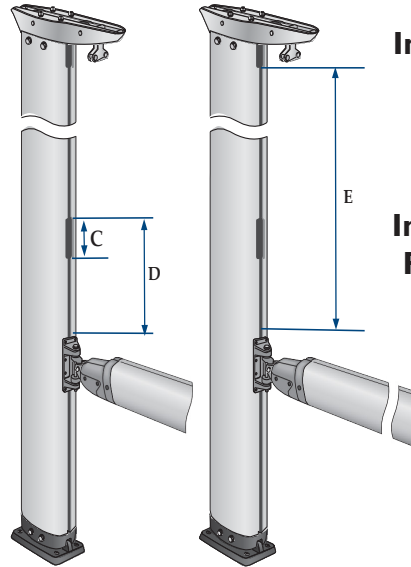
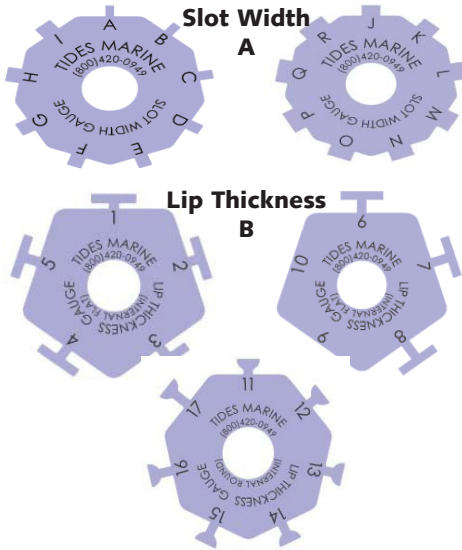
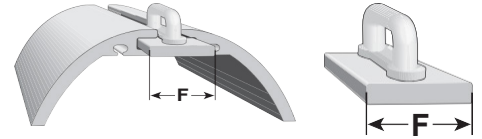


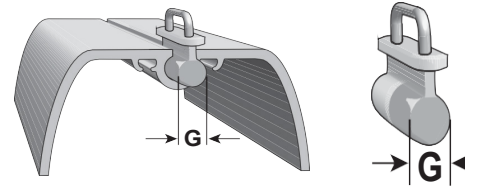
# INTERNAL LUFF GROOVE - ORDER FORM



**Internal Flat**



**Internal Round**



Order Date: \_\_\_\_\_  
mm dd yyyy

Requested By: \_\_\_\_\_  
mm dd yyyy

## Internal Luff Groove Measurements

**Items in RED must be completed. Incomplete forms will delay processing.**

A \_\_\_\_\_ Slot Width (Letter from blue disc)

D \_\_\_\_\_ Top of Mast Gate down to bottom of the Track above the gooseneck

B \_\_\_\_\_ Lip Thickness (Number from blue disc)

E \_\_\_\_\_ Track Length - Desired overall length of the Tides SailTrack

C \_\_\_\_\_ Length of Mast Gate

**Your Mast Gate length (C) must be at least 3" long and open on both sides of the groove. The Top of the Mast Gate (D) must be a minimum of 10" above the gooseneck.**

\*If your current mast gate configuration does not meet both of these measurements, you will have to modify your existing mast gate accordingly. **Measurements C and D must reflect the "minimum" mast gate measurements.**

## Internal Width of Existing Luff Groove

\* **F** for Internal Flat or **G** for Internal Round are **REQUIRED** Measurements. They can usually be measured at the mast gate or at the bottom of the mast track. This cannot be measured with the blue measurement disc. Do NOT enter the Slide Type or Slide Dimension.

F \_\_\_\_\_ Internal Flat Section Width

G \_\_\_\_\_ Internal Round Section Width

## Order Tides Slides and Batten Receptacles

Your Tides Track System comes with a **MAXIMUM CHOICE** of one slide for every two feet of track. If more slides are required, they may be purchased from Tides for an additional cost.

Slide Type:  Stainless Steel  \*Pinless Stainless Steel  Naval Brass

Quantity		Quantity	
_____	SH-200A Batten Receptacle - Small	_____	SH-400 SH-401 Slide with 10mm Stud
_____	SH-200B Batten Receptacle - Large	_____	SH-401 Reef Slide
_____	SH-500 Headboard Slide	_____	SH-402 Universal with 10mm Stud
_____	SH-600 Intermediate Slide	_____	SH-403 Slide for original Battslide

\* Pinless Stainless Steel available for the SH-401, SH-500 and SH-600 Only.

**BILLING INFORMATION**

Customer Name \_\_\_\_\_

Contact Name \_\_\_\_\_

Address \_\_\_\_\_

Address 2 \_\_\_\_\_

City / State / Zip Code \_\_\_\_\_

Phone Number \_\_\_\_\_

E-Mail Address \_\_\_\_\_

**PAYMENT INFORMATION**

Name On Card \_\_\_\_\_

Address \_\_\_\_\_

Address 2 \_\_\_\_\_

City / State / Zip Code \_\_\_\_\_

Credit Card Type

VISA    AMEX    MC    DISCOVER

Credit Card Number \_\_\_\_\_

Expiration Date:    \_\_\_\_\_  
                          mm    dd    yyyy

Security Code \_\_\_\_\_

Ship Via:

**FedEx**    Overnight    2-Day    3-Day    Ground   **FedEx International**    Priority    Economy  
**UPS**    Overnight    2-Day    3-Day    Ground

Tides Account Name \_\_\_\_\_

Tides Account # \_\_\_\_\_

**BOAT INFORMATION** Manufacturer \_\_\_\_\_ Model \_\_\_\_\_

**MAST INFORMATION** Manufacturer \_\_\_\_\_ Model \_\_\_\_\_

Comments:

**SHIPPING INFORMATION**

Same as Billing Information

Customer Name \_\_\_\_\_

Contact Name \_\_\_\_\_

Address \_\_\_\_\_

Address 2 \_\_\_\_\_

City / State / Zip Code \_\_\_\_\_

Phone Number \_\_\_\_\_

E-Mail Address \_\_\_\_\_

**SHIPPING HARDWARE TO ANOTHER LOCATION**

Customer Name \_\_\_\_\_

Contact Name \_\_\_\_\_

Address \_\_\_\_\_

Address 2 \_\_\_\_\_

City / State / Zip Code \_\_\_\_\_

Phone Number \_\_\_\_\_

E-Mail Address \_\_\_\_\_